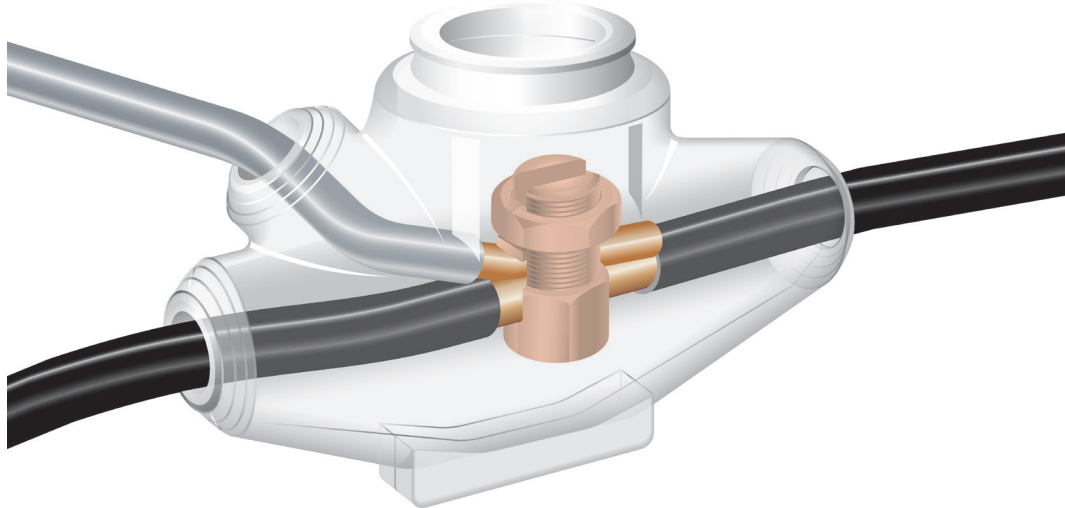




A CRH COMPANY

CATHODIC PROTECTION JOINTS



Filoform Low Voltage CPJ Cable Joints are designed in accordance with BS7888:1988, and are specifically intended for use in Cathodic Protection applications. The side-by-side design of shell is ideally suited to the use of Line Tap Connectors, and the range covers up to 120mm.

The P2654 Polyurethane Resin is a high quality product, tested to >20kV/mm, with a performance temperature range of -25C to +120C.

The P2654 has a Gel Time of 14 minutes, and a shelf life of 36 months from date of manufacture.

Type Tested in accordance with	BS7888:1998
Temperature Range	-10°C to 120°C
Voltage	600/1000 volts
Cable Range	Single Core up to 120mm ² Mains
Resin Type	Polyurethane (Epoxy available)

Resin Type Test	IEC 60455-3-8:2013
Resin Hardness	Shore D (41) EN ISO 868
Diaelectric Strength	20kV/mm
Colour	Black
Pack Sizes Available	200/450/750/1200/2000ml

- High Hydrolysis Resistance
- Pipelines & Tanks
- Buried Structures

Product Code	Min Cable OD	Max Cable OD	Shell Dimensions	Shell Type
CPJ95	Ø10	Ø20	73 x 142	Injection Moulded
CPJ120	Ø10	Ø25	95 x 160	Injection Moulded

Product Code	Cable Range
LT6 Line Tap	2 x 6mm ²
LT16 Line Tap	2 x 16mm ²
LT25 Line Tap	2 x 25mm ²
LT35 Line Tap	2 x 35mm ²
LT70 Line Tap	2 x 70mm ²
LT95 Line Tap	2 x 95mm ²
LT120 Line Tap	2 x 120mm ²

All dimensions in mm

