

# FILO form

connect ▶ seal ▶ protect ▶

## MOUNTING CLAMPS

SAFETY FOR YOUR LIGHTNING PROTECTION SYSTEMS



# MOUNTING CLAMPS

SAFETY FOR YOUR LIGHTNING PROTECTION SYSTEMS

## MKD-clamp

The MKD-clamp is a universal fastening element for a variety of different mounting applications (see Catalogue „Cable clamps“)

One of its key features is that due to the riveted pressure plate other parts (e.g. coated steel components) can't be damaged.

Additionally, the MKD-clamp meets the requirements of the European norm EN 50164-1 "Lightning Protection Components", class H up to 100 kA (the highest class).

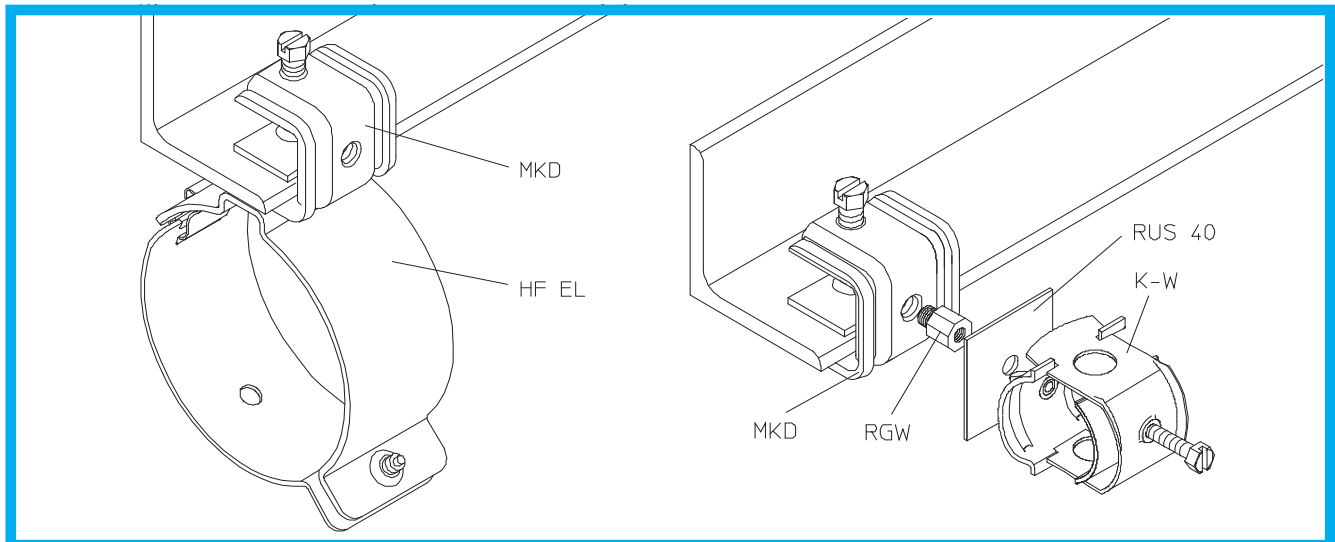
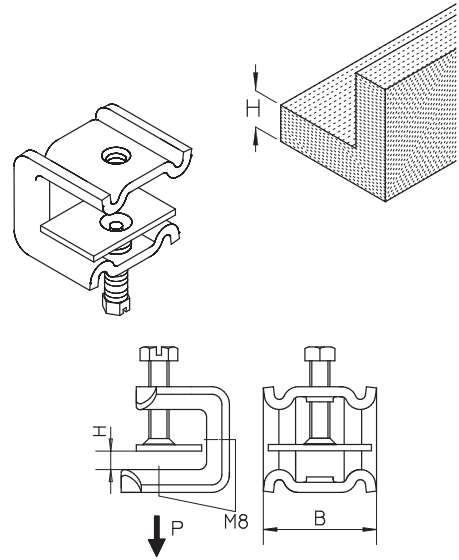
Lightning protection equipment like single conductor cables and one or several earthing conductors can be safely mounted with it.



## MKD beam clamp

Hot dip galvanized according to DIN EN ISO 1461 or made of high-grade steel, material no. 1.4301 (V 2A)

	H mm	B mm	P kN	G kg
<b>F</b>				
MKD 21	6-21	44	1,5	0,19
MKD 40	20-40	44	1,3	0,22
<b>E</b>				
MKD 21E	6-21	44	1,5	0,19
MKD 40E	20-40	44	1,3	0,22



Errors and technical modification subject to change, reproduction as well as electronic duplication only with our written permission. With appearance of this print all preceding documents lose their validity