

WallMax® Group WRHFF Series

WallMax® Rectangular Holed Flanged Frame

WallMax® Rectangular Holed Flanged Frames are alternative solutions to WRFF to be used where welding is not recommended.

WRHFF has a 10mm thick flange.

WRHFF frames can be assembled in a variety of combinations for what concerns both openings and construction materials. Pre-defined solutions as well as customised options are offered to adjust to client's needs.

WRHFF are designed for installation through bolting or casting in the wall.

WRHFF frames are used in combination with WMR series and accessories to create personalised sealing solutions. Standard packing space allows for multiple combinations of WMR modules and a perfect fit to any customer's need.

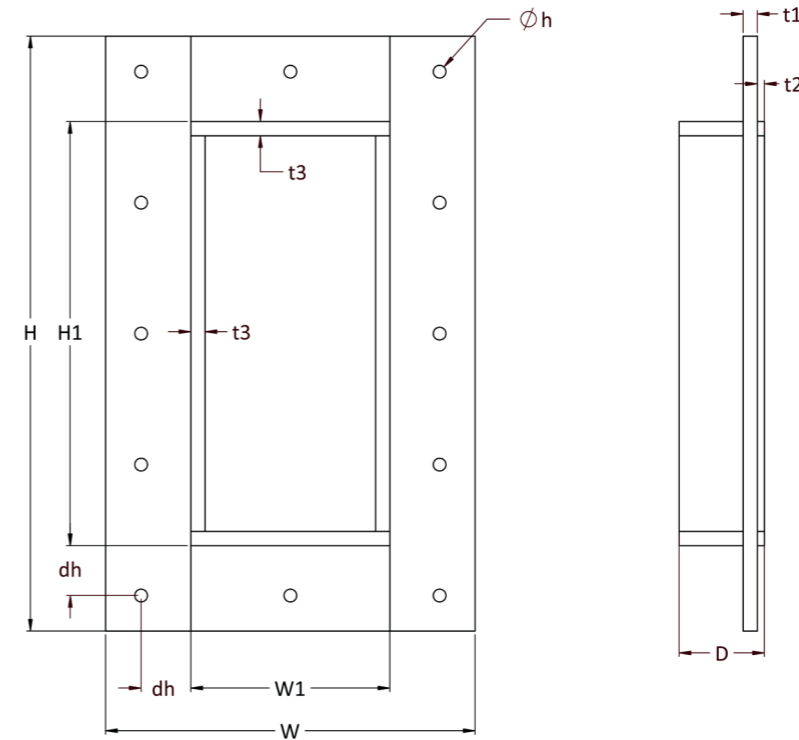
Key benefits:

- » Alternative to WRFF where welding is not recommended
- » 10mm flange, designed for bolted or wall casting installation
- » Supports a wide range of module combinations

Materials:

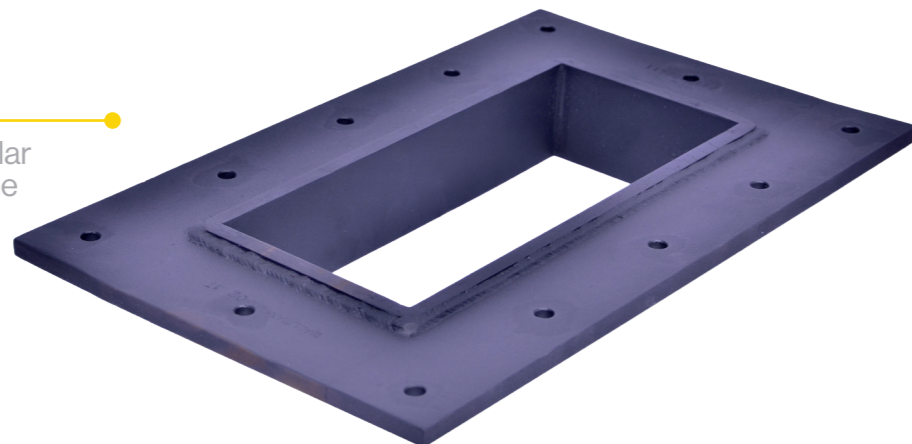
Primed Steel
SS AISI 316 L
Galvanised Steel

Other materials available upon request



POS	(mm)	(inches)
H1	H-120	H-4.252
W1	W-120	W-4.724
D	60	2.362
f	60	2.362
t1	10	0.394
t2	5	0.197
t3	10	0.394
Øh	9	0.354
dh	35	1.378

WallMax® Rectangular Flanged Holed Frame (WRHFF)



To be used in combination with

Code	Article	Openings	Packing space (mm)	External nominal dimensions (HxW D=60mm)		Weight	
				mm	in	kg	lb
711020 0611	WRHFF 60 1x1 Primed	1x1	60x120	238x260	9.370x10.236	5.73	12.624
711020 0612	WRHFF 60 1x2 Primed	1x2	60x120	238x390	9.370x15.354	8.85	19.450
711020 0613	WRHFF 60 1x3 Primed	1x3	60x120	238x520	9.370x20.472	11.96	26.376
711020 1211	WRHFF 120 1x1 Primed	1x1	120x120	298x260	11.732x10.236	6.84	15.077
711020 1212	WRHFF 120 1x2 Primed	1x2	120x120	298x390	11.732x15.354	10.25	22.595
711020 1213	WRHFF 120 1x3 Primed	1x3	120x120	298x520	11.732x20.472	13.66	30.113
711020 1811	WRHFF 180 1x1 Primed	1x1	180x120	358x260	14.095x10.236	7.95	17.533
711020 1812	WRHFF 180 1x2 Primed	1x2	180x120	358x390	14.095x15.354	11.58	25.538
711020 1813	WRHFF 180 1x3 Primed	1x3	180x120	358x520	14.095x20.472	13.66	30.113
711020 2411	WRHFF 240 1x1 Primed	1x1	240x120	418x260	16.457x15.354	9.08	20.009
711021 0611	WRHFF 60 1x1 AISI 316	1x1	60x120	238x260	9.370x10.236	5.87	12.948
711021 0612	WRHFF 60 1x2 AISI 316	1x2	60x120	238x390	9.370x15.354	9.07	20.000

Note: weights are approx.

Code	Article	Openings	Packing space (mm)	External nominal dimensions (HxW D=60mm)		Weight	
				mm	in	kg	lb
7110210613	WRHFF 60 1x3 AISI 316	1x3	60x120	238x520	9.370x20.472	12.27	27.053
7110211211	WRHFF 120 1x1 AISI 316	1x1	120x120	298x260	11.732x10.236	7.02	15.465
7110211212	WRHFF 120 1x2 AISI 316	1x2	120x120	298x390	11.732x20.472	10.43	22.983
7110211213	WRHFF 120 1x3 AISI 316	1x3	120x120	298x520	11.732x25.591	13.84	30.501
7110211811	WRHFF 180 1x1 AISI 316	1x1	180x120	358x260	14.095x10.236	8.16	17.983
7110211812	WRHFF 180 1x2 AISI 316	1x2	180x120	358x390	14.095x20.472	11.88	26.193
7110211813	WRHFF 180 1x3 AISI 316	1x3	180x120	358x520	14.095x25.591	15.61	34.403
7110212411	WRHFF 240 1x1 AISI 316	1x1	240x120	418x260	16.457x10.236	9.31	20.523
7110230611	WRHFF 60 1x1 Galv	1x1	60x120	238x260	9.370x10.236	5.73	12.624
7110230612	WRHFF 60 1x2 Galv	1x2	60x120	238x390	9.370x15.354	8.85	19.450
7110230613	WRHFF 60 1x3 Galv	1x3	60x120	238x520	9.370x20.472	11.96	26.376
7110231211	WRHFF 120 1x1 Galv	1x1	120x120	298x260	11.732x10.236	6.84	15.077
7110231212	WRHFF 120 1x2 Galv	1x2	120x120	298x390	11.732x15.354	10.25	22.595
7110231213	WRHFF 120 1x3 Galv	1x3	120x120	298x520	11.732x20.472	13.66	30.113
7110231811	WRHFF 180 1x1 Galv	1x1	180x120	358x260	14.095x10.236	7.95	17.533
7110231812	WRHFF 180 1x2 Galv	1x2	180x120	358x390	14.095x15.354	11.58	25.538
7110231813	WRHFF 180 1x3 Galv	1x3	180x120	358x520	14.095x20.472	13.66	30.113
7110232411	WRHFF 240 1x1 Galv	1x1	240x120	418x260	16.457x15.354	9.08	20.009

Note: weights are approx.

We're excited to bring a solution to the market that combines engineering precision with installer-friendly features. WallMax represents a real step forward in improving compliance, consistency and speed compared to traditional sealing methods.