

# WallMax® Group WRHFF Series

## WallMax® Rectangular Holed Flanged Frame Light

WallMax® Rectangular Holed Flanged Frames Light are alternative solutions to WRFFL to be used where welding is not recommended.

WRHFFL has a 6mm thick flange.

WRHFFL frames can be assembled in a variety of combinations for what concerns both openings and construction materials.

Pre-defined solutions as well as customised options are offered to adjust to client's needs.

WRHFFL are designed for installation through bolting or casting in the wall.

WRHFFL frames are used in combination with WMR series and accessories to create personalised sealing solutions. Standard packing space allows for multiple combinations of WMR modules and a perfect fit to any customer's need.

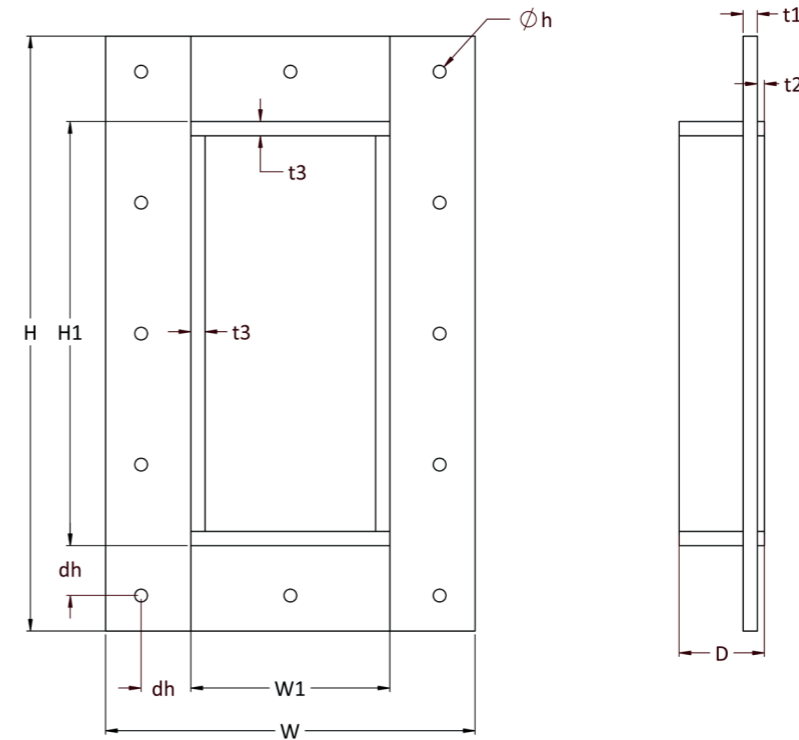
### Key benefits:

- » Lightweight 6mm flange alternative to WRFFL where welding isn't suitable
- » Designed for bolted or wall casting installation
- » Supports a wide range of module and material options

### Materials:

Primed Steel  
SS AISI 316 L  
Galvanised Steel

Other materials available upon request



POS	(mm)	(inches)
H1	H-120	H-4.252
W1	W-120	W-4.724
D	60	2.362
f	60	2.362
t1	6	0.236
t2	5	0.197
t3	6	0.236
Øh	9	0.354
dh	35	1.378

WallMax® Rectangular Flanged Holed Frame Light (WRHFFL)



### To be used in combination with

Code	Article	Openings	Packing space (mm)	External nominal dimensions (HxW D=60mm)		Weight	
				mm	in	kg	lb
711230 0611	WRHFFL 60 1x1 Primed	1x1	60x120	230x252	9.055x9.921	3.30	7.277
711230 0612	WRHFFL 60 1x2 Primed	1x2	60x120	230x382	9.055x15.039	5.24	11.543
711230 0613	WRHFFL 60 1x3 Primed	1x3	60x120	230x512	9.055x20.158	7.17	15.809
711230 1211	WRHFFL 120 1x1 Primed	1x1	120x120	290x252	11.417x9.921	3.97	8.755
711230 1212	WRHFFL 120 1x2 Primed	1x2	120x120	290x382	11.417x15.039	6.19	13.638
711230 1213	WRHFFL 120 1x3 Primed	1x3	120x120	290x512	11.417x20.178	8.40	18.251
711230 1811	WRHFFL 180 1x1 Primed	1x1	180x120	350x252	13.780x9.921	4.64	10.232
711230 1812	WRHFFL 180 1x2 Primed	1x2	180x120	350x382	13.780x15.039	7.15	15.754
711230 1813	WRHFFL 180 1x3 Primed	1x3	180x120	350x512	13.780x20.157	9.64	21.255
711230 2411	WRHFFL 240 1x1 Primed	1x1	240x120	410x252	16.142x9.921	5.32	11.731
711231 0611	WRHFFL 60 1x1 AISI 316	1x1	60x120	230x252	9.055x9.921	3.38	7.454
711231 0612	WRHFFL 60 1x2 AISI 316	1x2	60x120	230x382	9.055x15.039	5.32	11.720

Note: weights are approx.

# WallMax® Group

## WRHFF Series

Code	Article	Openings	Packing space (mm)	External nominal dimensions (HxW D=60mm)		Weight	
				mm	in	kg	lb
7112310613	WRHFFL 60 1x3 AISI 316	1x3	60x120	230x512	9.055x20.158	7.25	15.986
7112311211	WRHFFL 120 1x1 AISI 316	1x1	120x120	290x252	11.417x9.921	4.07	8.975
7112311212	WRHFFL 120 1x2 AISI 316	1x2	120x120	290x382	11.417x15.039	6.35	14.002
7112311213	WRHFFL 120 1x3 AISI 316	1x3	120x120	290x512	11.417x20.178	8.63	19.028
7112311811	WRHFFL 180 1x1 AISI 316	1x1	180x120	350x252	13.780x9.921	4.76	10.496
7112311812	WRHFFL 180 1x2 AISI 316	1x2	180x120	350x382	13.780x15.039	7.33	16.162
7112311813	WRHFFL 180 1x3 AISI 316	1x3	180x120	350x512	13.780x20.157	9.90	21.828
7112312411	WRHFFL 240 1x1 AISI 316	1x1	240x120	410x252	16.142x9.921	5.45	12.017
7112330611	WRHFFL 60 1x1 Galv	1x1	60x120	230x252	9.055x9.921	3.30	7.277
7112330612	WRHFFL 60 1x2 Galv	1x2	60x120	230x382	9.055x15.039	5.24	11.543
7112330613	WRHFFL 60 1x3 Galv	1x3	60x120	230x512	9.055x20.158	7.17	15.809
7112331211	WRHFFL 120 1x1 Galv	1x1	120x120	290x252	11.417x9.921	3.97	8.755
7112331212	WRHFFL 120 1x2 Galv	1x2	120x120	290x382	11.417x15.039	6.19	13.638
7112331213	WRHFFL 120 1x3 Galv	1x3	120x120	290x512	11.417x20.178	8.40	18.251
7112331811	WRHFFL 180 1x1 Galv	1x1	180x120	350x252	13.780x9.921	4.64	10.232
7112331812	WRHFFL 180 1x2 Galv	1x2	180x120	350x382	13.780x15.039	7.15	15.754
7112331813	WRHFFL 180 1x3 Galv	1x3	180x120	350x512	13.780x20.157	9.64	21.255
7112332411	WRHFFL 240 1x1 Galv	1x1	240x120	410x252	16.142x9.921	5.32	11.731
7112331213	WRHFFL 120 1x3 Galv	1x3	120x120	290x512	11.417x20.178	8.40	18.251
7112331811	WRHFFL 180 1x1 Galv	1x1	180x120	350x252	13.780x9.921	4.64	10.232
7112331812	WRHFFL 180 1x2 Galv	1x2	180x120	350x382	13.780x15.039	7.15	15.754
7112331813	WRHFFL 180 1x3 Galv	1x3	180x120	350x512	13.780x20.157	9.64	21.255
7112332411	WRHFFL 240 1x1 Galv	1x1	240x120	410x252	16.142x9.921	5.32	11.731

Note: weights are approx.

