

WallMax® Group WRHFF Series

WallMax® Rectangular Holed Flanged Frame Light Openable

WallMax® Rectangular Holed Flanged Frames Light Openable are alternative solutions to WRFFLO to be used where welding is not recommended.

WRHFFLO has a 6mm thick flange.

WRHFFLO frames can be assembled in a variety of combinations for what concerns both openings and construction materials.

Pre-defined solutions as well as customised options are offered to adjust to client's needs.

WRHFFLO solutions are designed for installation where cables/pipes are already in place and it is not feasible to cut them and re-installed them.

They are supplied with a partially welded side. WRHFFLO are designed for installation through bolting or casting in the wall.

WRHFFLO frames are used in combination with WMR series and accessories to create personalised sealing solutions. Standard packing space allows for multiple combinations of WMR modules and a perfect fit to any customer's need.

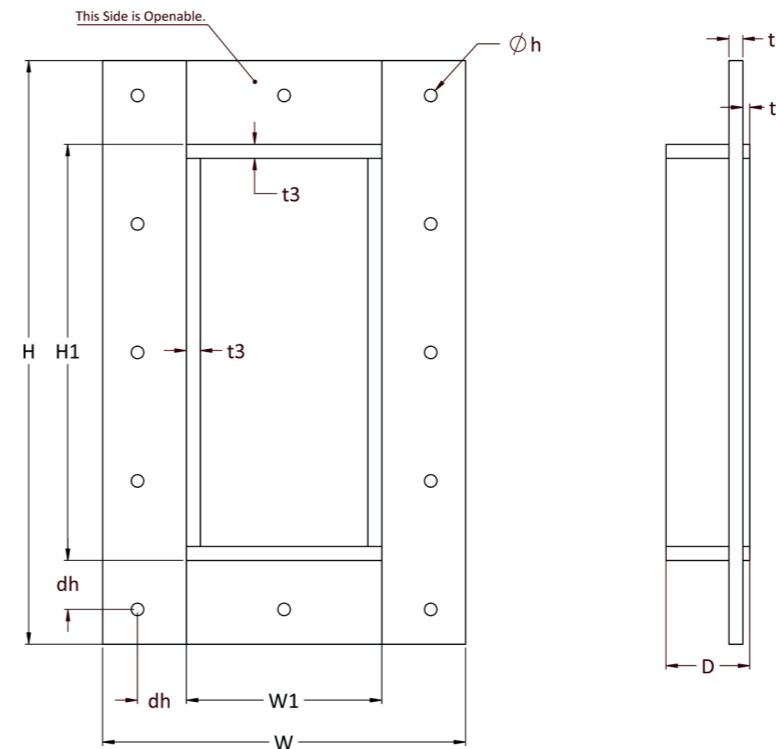
Key benefits:

- » 6mm flange alternative to WRFFLO where welding isn't suitable
- » Openable frame with partially welded side
- » Ideal for retrofits where cutting/re-installing cables and pipes is not feasible
- » Designed for bolted or wall casting installation
- » Supports a wide range of WMR module combinations

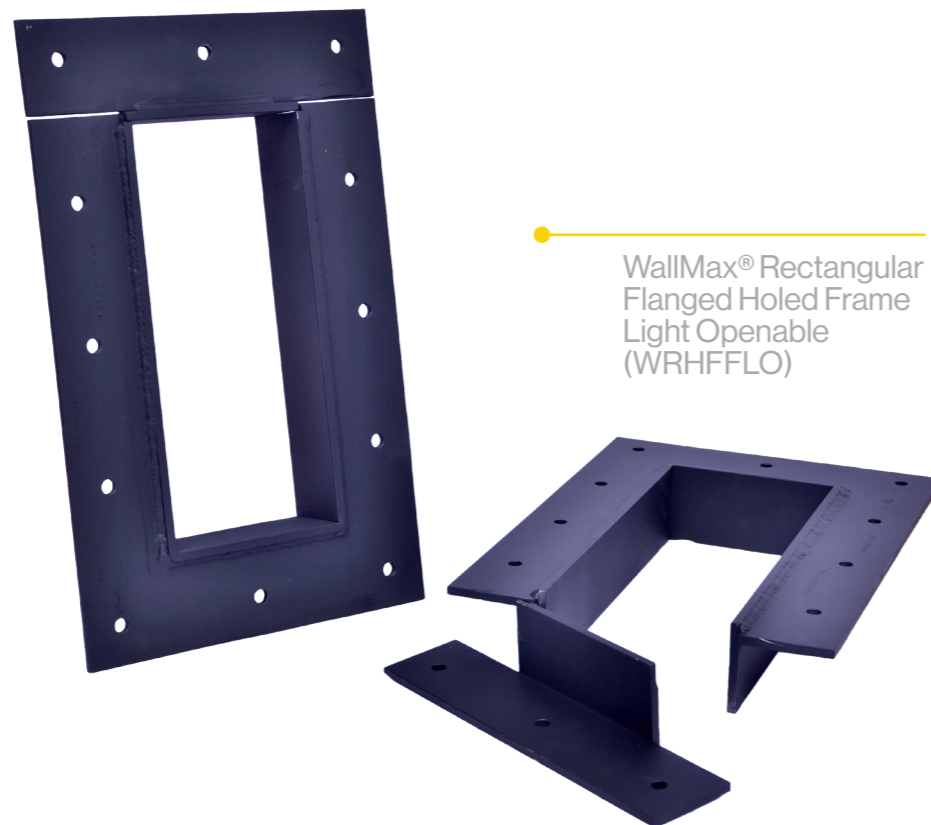
Materials:

Primed Steel
SS AISI 316 L
Galvanised Steel

Other materials available upon request



POS	(mm)	(inches)
H1	H-120	H-4.252
W1	W-120	W-4.724
D	60	2.362
f	60	2.362
t1	6	0.236
t2	5	0.197
t3	6	0.236
Øh	9	0.354
dh	35	1.378



To be used in combination with

Code	Article	Openings	Packing space (mm)	External nominal dimensions (HxW D=60mm)		Weight	
				mm	in	kg	lb
•	WRHFFLO 60 1x1 Primed	1x1	60x120	238x260	9.370x10.236	3.28	7.233
•	WRHFFLO 120 1x1 Primed	1x1	120x120	298x260	11.732x10.236	3.95	8.710
•	WRHFFLO 180 1x1 Primed	1x1	180x120	358x260	14.095x10.236	4.62	10.188
•	WRHFFLO 240 1x1 Primed	1x1	240x120	418x260	16.457x15.354	5.30	11.687
•	WRHFFLO 60 1x1 AISI 316	1x1	60x120	238x260	9.370x10.236	3.36	7.410
•	WRHFFLO 120 1x1 AISI 316	1x1	120x120	298x260	11.732x10.236	4.05	8.931
•	WRHFFLO 180 1x1 AISI 316	1x1	180x120	358x260	14.095x10.236	4.70	10.364
•	WRHFFLO 240 1x1 AISI 316	1x1	240x120	418x260	16.457x15.354	5.45	12.015
•	WRHFFLO 60 1x1 Galv	1x1	60x120	230x252	9.055x9.921	3.28	7.233
•	WRHFFLO 120 1x1 Galv	1x1	120x120	290x252	11.417x9.921	3.95	8.710
•	WRHFFLO 180 1x1 Galv	1x1	180x120	350x252	13.780x9.921	4.62	10.188
•	WRHFFLO 240 1x1 Galv	1x1	240x120	418x260	16.457x15.354	5.30	11.687

* For the part number, please contact the Sales Department | Note: weights are approx.