

WallMax® Group

WR & WRS Series

WallMax® Sleeves for WR

Sleeves are accessories and complements to WR frames.

Useful tools to secure passages and mount frames according to customer's needs, they come in different sizes and materials, to fit any model of WR.

SLVWR are designed for installation through casting in the wall or welding.

Key benefits:

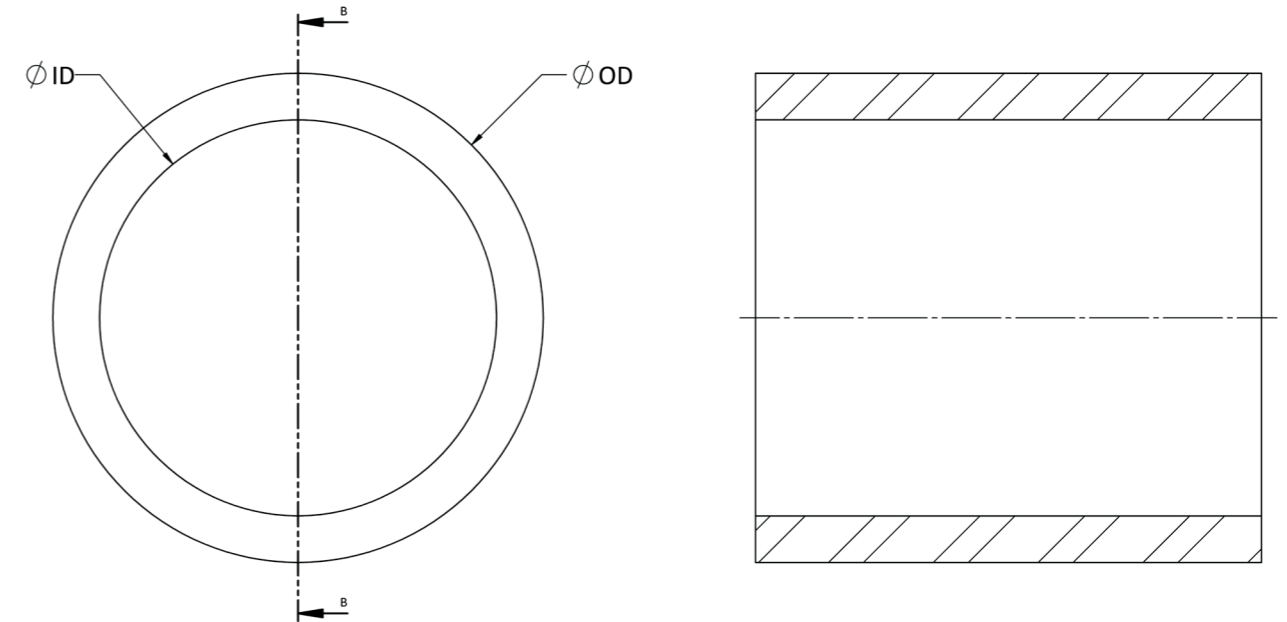
- » Sleeve accessory for WR frames
- » Available in various sizes/materials
- » Designed for wall casting or welded installation

Materials:

Primed Steel
 SS AISI 316 L
 Aluminium
 Galvanised Steel
 Other materials available upon request



WallMax® Sleeves for WR (SLVWR)



Code	Article	ø D Inner	ø D Outer	Weight	
				kg	lb
711130 0023	SLVWR 23 Primed	24	32	0.08	0.181
711130 0025	SLVWR 25 Primed	26	34	0.09	0.194
711130 0031	SLVWR 31 Primed	32	40	0.11	0.234
711130 0043	SLVWR 43 Primed	44	52	0.31	0.675
711130 0050	SLVWR 50 Primed	51	63	0.55	1.202
711130 0068	SLVWR 68 Primed	69.5	83	0.85	1.867
711130 0075	SLVWR 75 Primed	76.5	89	0.85	1.882
711130 0078	SLVWR 78 Primed	79	93	0.89	1.962
711130 0100	SLVWR 100 Primed	101	114	1.11	2.454
711130 0125	SLVWR 125 Primed	126	140	1.48	3.269
711130 0150	SLVWR 150 Primed	151	164	1.63	3.596
711130 0175	SLVWR 175 Primed	176	190	2.04	4.490
711130 0200	SLVWR 200 Primed	201	214	2.15	4.736

Note: weights are approx.

Code	Article	ø D Inner	ø D Outer	Weight	
				kg	lb
7111310023	SLVWR 23 AISI 316	24	32	0.09	0.187
7111310025	SLVWR 25 AISI 316	26	34	0.09	0.200
7111310031	SLVWR 31 AISI 316	32	40	0.11	0.240
7111310043	SLVWR 43 AISI 316	44	52	0.32	0.694
7111310050	SLVWR 50 AISI 316	51	63	0.56	1.237
7111310068	SLVWR 68 AISI 316	69.5	83	0.87	1.922
7111310075	SLVWR 75 AISI 316	76.5	89	0.88	1.938
7111310078	SLVWR 78 AISI 316	79	93	0.89	1.962
7111310100	SLVWR 100 AISI 316	101	114	1.15	2.524
7111310125	SLVWR 125 AISI 316	126	140	1.53	3.364
7111310150	SLVWR 150 AISI 316	151	164	1.68	3.699
7111310175	SLVWR 175 AISI 316	176	190	2.10	4.620
7111310200	SLVWR 200 AISI 316	201	214	2.21	4.874
711132 0023	SLVWR 23 AL	24	32	0.03	0.064
711132 0025	SLVWR 25 AL	26	34	0.03	0.068
711132 0031	SLVWR 31 AL	32	40	0.04	0.082
711132 0043	SLVWR 43 AL	44	52	0.11	0.234
711132 0050	SLVWR 50 AL	51	63	0.19	0.417
711132 0068	SLVWR 68 AL	69.5	83	0.29	0.646
711132 0075	SLVWR 75 AL	76.5	89	0.30	0.653
711132 0078	SLVWR 78 AL	79	93	0.31	0.683
711132 0100	SLVWR 100 AL	101	114	0.39	0.849

Note: weights are approx.

Code	Article	ø D Inner	ø D Outer	Weight	
				kg	lb
711132 0125	SLVWR 125 AL	126	140	0.51	1.131
711132 0150	SLVWR 150 AL	151	164	0.56	1.243
711132 0175	SLVWR 175 AL	176	190	0.71	1.560
711132 0200	SLVWR 200 AL	201	214	0.86	1.896
711133 0023	SLVWR 23 Galv	24	32	0.08	0.181
711133 0025	SLVWR 25 Galv	26	34	0.09	0.194
711133 0043	SLVWR 43 Galv	44	52	0.31	0.675
711133 0050	SLVWR 50 Galv	51	63	0.55	1.202
711133 0068	SLVWR 68 Galv	69.5	83	0.85	1.867
711133 0075	SLVWR 75 Galv	76.5	89	0.85	1.882
711133 0078	SLVWR 78 Galv	79	93	0.86	1.962
711133 0100	SLVWR 100 Galv	101	114	1.11	2.454
711133 0125	SLVWR 125 Galv	126	140	1.48	3.269
711133 0150	SLVWR 150 Galv	151	164	1.63	3.596
711133 0175	SLVWR 175 Galv	176	190	2.04	4.490
711133 0200	SLVWR 200 Galv	201	214	0.74	1.640

Note: weights are approx.