

WallMax® Group

WR & WRS Series

WallMax® Sleeves for WRS

Sleeves are accessories and complements to WRS frames.

Useful tools to secure passages and mount frames according to customer's needs, they come in different sizes and materials, to fit any model of WRS.

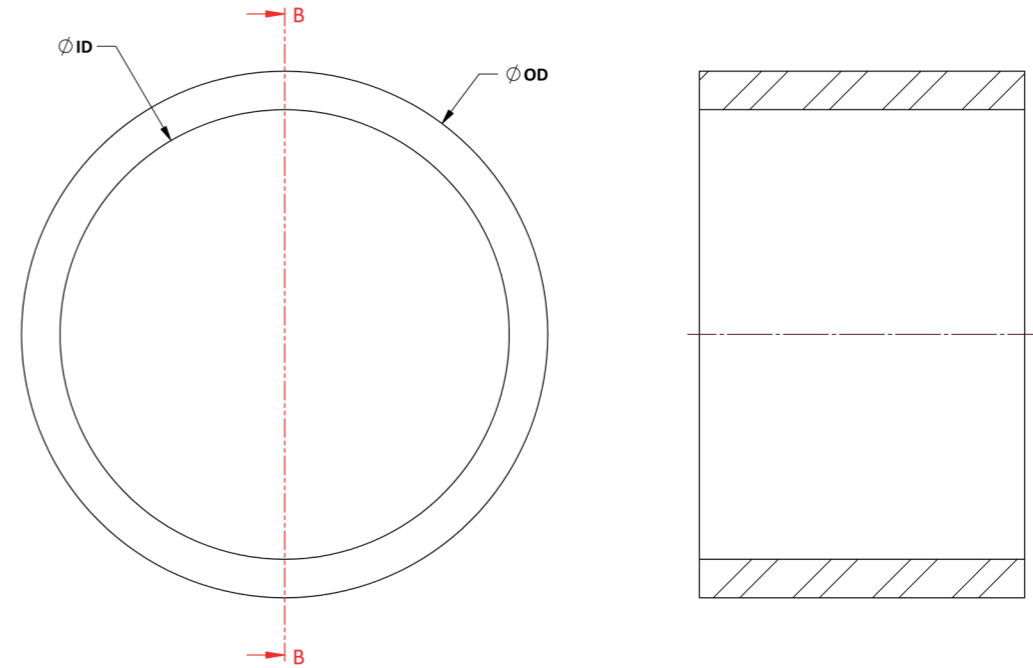
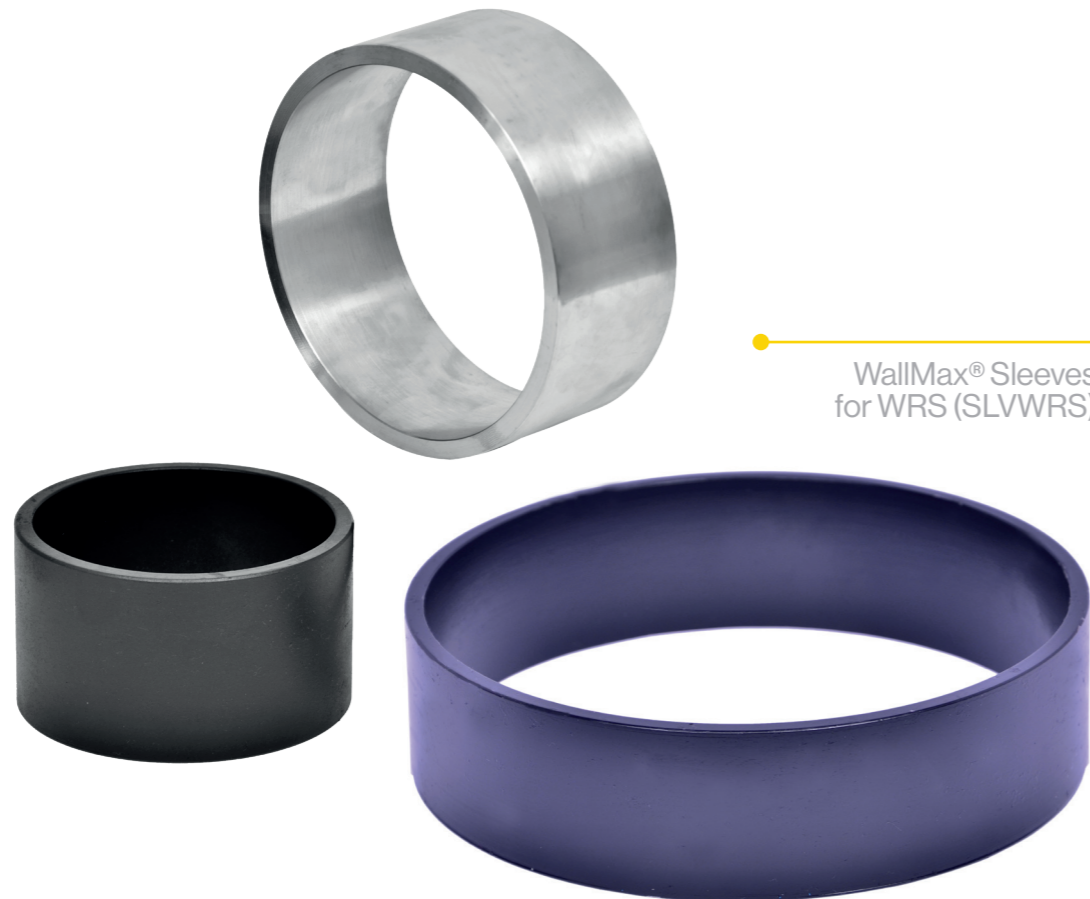
SLVWRS are designed for installation through casting in the wall or welding.

Key benefits:

- » Sleeve accessory for WRS frames
- » Available in various sizes/materials
- » Designed for wall casting or welded installation

Materials:

Primed Steel
 SS AISI 316 L
 Aluminium
 Galvanised Steel
 Other materials available upon request



Code	Article	Wall Opening		Packing space (mm)	Weight	
		øA-øB (mm)	øA-øB (in)		kg	lb
7111010070	WRS 70 AISI 316	71-72	2.795-2.834	40x40	0.43	0.952
7111010075	WRS 75 AISI 316	76-77	2.992-3.031	40x40	0.49	1.076
7111010100	WRS 100 AISI 316	101-102	3.976-4.016	60x60	0.72	1.581
7111010125	WRS 125 AISI 316	126-127	4.961-5.000	80x80	1.04	2.282
7111010127	WRS 127 AISI 316	128-129	5.039-5.078	80x80	1.07	2.350
7111010150	WRS 150 AISI 316	151-152	5.945-5.984	90x90	1.50	3.316
7111010200	WRS 200 AISI 316	201-202	7.913-7.953	120x120	2.48	5.459
7111030070	WRS 70 Galv	71-72	2.795-2.834	40x40	0.43	0.939
7111030075	WRS 75 Galv	76-77	2.992-3.031	40x40	0.48	1.065
7111030100	WRS 100 Galv	101-102	3.976-4.016	60x60	0.71	1.554
7111030125	WRS 125 Galv	126-127	4.961-5.000	80x80	1.02	2.253
7111030127	WRS 127 Galv	126-127	5.039-5.078	80x80	1.05	2.321
7111030150	WRS 150 Galv	151-152	5.945-5.984	90x90	1.48	3.272
7111030200	WRS 200 Galv	201-202	7.913-7.953	120x120	2.45	5.393

Note: weights are approx.