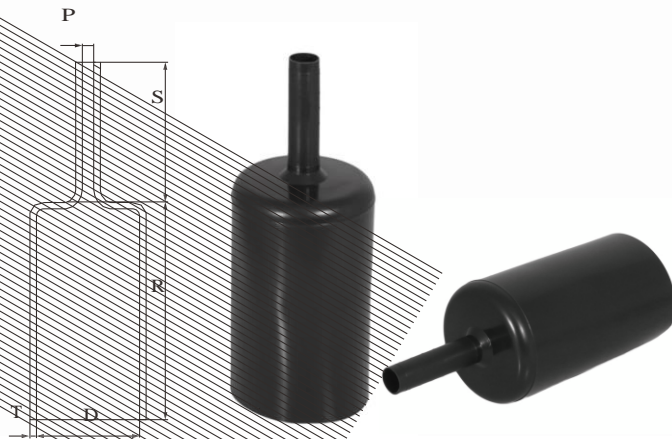


AC Heat Shrink Anode Cap



- Made of cross linked polyolefin, inner coated with adhesive.
- Sealing and protecting the critical connection between lead wire and anode.
- Ideal to avoid premature system failure due to loss of the wire to anode termination.
- Continuous operation temperature:
 - 45°C to 105°C.

Selection Table

		D Min	d Min	T (±0.3)	R (±5)	S (±5)	D Max	d Max	T (±0.3)
AC-66/48	2#	66	12	1.6	80	78	48	7	2.5
AC-87/63	3#B	87	12	2.0	105	80	63	7	2.7
AC-120/86	4#	120	13	2.0	100	77	86	8	2.7
AC-114/86	4#B	114	12	1.8	100	77	86	8	2.7
AC-50/30	φ50	50	20	1.8	45	105	30	6.5	3.2
AC-86/42	φ86	86	16	1.2	155	80	42	6.5	3.2
AC-112/58	φ112	112	16	1.2	150	80	58	6.5	3.2

Remark: The anode cap coated with hot-melt adhesive comes in two forms: plane adhesive and spiral adhesive, which can meet different customer needs.

Technical Data

Property	Test Method	Standard Value
Tensile Strength	ASTM-D-638	≥ 12MPa
Elongation at Break	ASTM-D-638	≥ 300%
Volume Resistivity	IEC 60093	≥ 1x10 ¹³ Ω.cm
Dielectric Strength	IEC 60243	≥ 15kV/mm
Brittle Temperature	ISO 974	-40°C
Hardness (Shore A)	ISO 868	≥ 80
Water Absorption(23±2)°C 24h	ISO 62	≤ 0.1 %
Heat Shock	160°C, 4h	No Crack