

FILO form

connect ▶ seal ▶ protect ▶

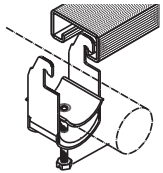
CABLE CLAMPS



CABLE CLAMPS

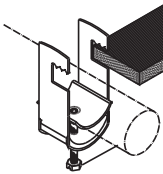
The millionfold proven and tested solution for the efficient and safe laying of one, two or three cables with diameters up to 175 mm.

Mounting options



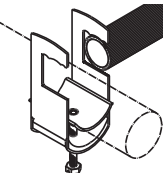
Cable clamp type AC

- to profiled rails
- type: A2, A4, A41, A7, A8, A9



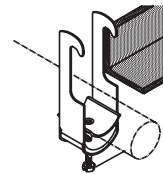
Cable clamp type U

- to flat profiles
- max. height 12 mm



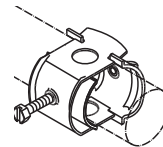
Cable clamp type RU

- to round profiles
- max. diameter 22 mm



Cable clamp type S

- to angle profiles
- flange max. 40 mm

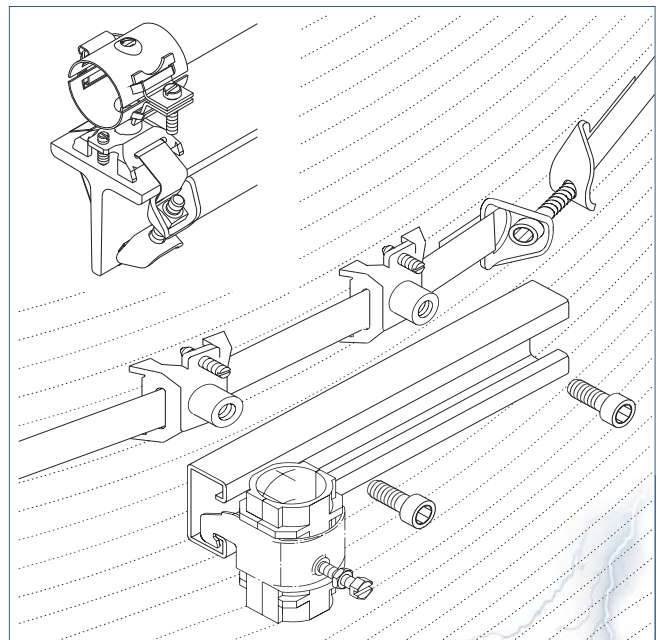


Cable clamp type W

- directly to the wall



Upon request we can assemble small, rectangular pressure vats to ensure safe seating of triple or quadruple bundled cables.



Your Benefits

- pressure vat made of steel prevents damage of the line and/or the protective pipe in case of too strong starting torque
- also available made of high-grade steel V4A (material No.: 1.4571)
- large variety of accessories from stock for each application

Special high frequency vats for various radio antennas

Made of hot-dip galvanized steel, corrosion-resistant and non magnetic high-grade steel or of aluminum AlMg3.

MKD lightning protection clamp

