

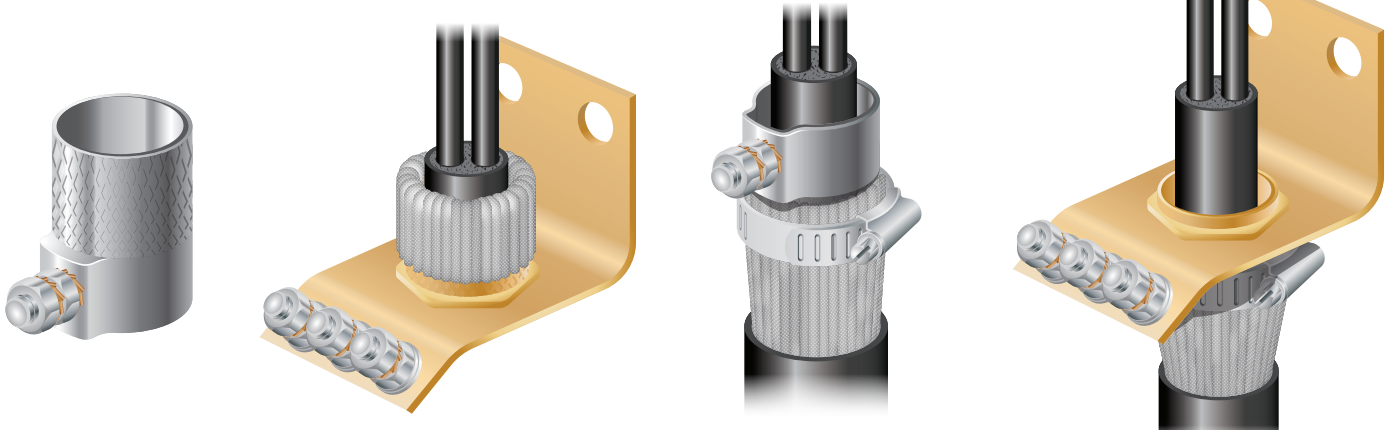
CET - CENTRAL EARTH TERMINAL

CET-002

CET-003/**R

CET-002 with Armours bent back

CET-003 with Armours bent back



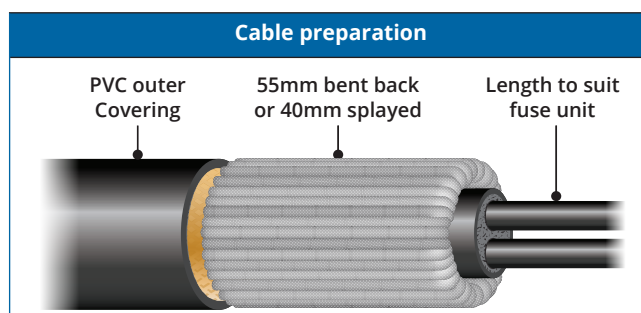
SELECTION TABLE - ARMOURS BENT BACK

Cable Size	2 Copper Cores Circular		2 Copper Cores Segmented		3 Copper Cores Segmented		4 Copper Cores Segmented	
2.5mm	002/6		002/6		002/6		002/6	
4mm	002/6		002/6		002/6		002/6	
6mm	002/6	003/10	002/6	003/10	002/10	003/10	002/10	003/10
10mm	002/10	003/10	002/10	003/10	002/16		002/16	
16mm	002/16		002/16		002/16			

SELECTION TABLE - ARMOURS SPLAYED

Cable Size	2 Copper Cores Circular		2 Copper Cores Segmented		3 Copper Cores Segmented		4 Copper Cores Segmented	
2.5mm	002/6		002/6		002/6		002/6	
4mm	002/6		002/6		002/6		002/6	
6mm	002/6	003/10R	002/6	003/10R	002/6	003/10R	002/6	003/10R
10mm	002/10	003/10R	002/10	003/10R	002/10	003/10R	002/16	
16mm	002/10	003/10R	002/10	003/10R	002/10	003/10R	002/16	
25mm	002/16		002/10	003/10R	002/16			

- Manufactured from zinc plated, solid brass
- Robust design; easy to assemble
- Suitable for traditional cable diameters
- Complete with jubilee clips, where required





Certificate of RoHS Compliance

This is certify that all Zolex parts listed below are RoHS compliant and meets the requirement of the current EU RoHS directive 2015/863, and do not chemical substances in accordance with government regulation, industry standards and customer specific requirements in order to protect environment are listed below.

Part Name: CET Cable Glands
Items: 40200351, 40200349

Mode
Time
Duration
Units

Electronics Metals
2025-03-27 10:43
60.31
Ppm

	ppm	+/-	Error
Cd	1.143	+/-	137.681
Hg	1.734	+/-	183.276
Br	1.601	+/-	192.631
Cr	1.947	+/-	175.298
Pd	1.378	+/-	131.561
Pb	1.026	+/-	164.572

Best Regards,

Mr. Ash Patel

Lab Incharge

